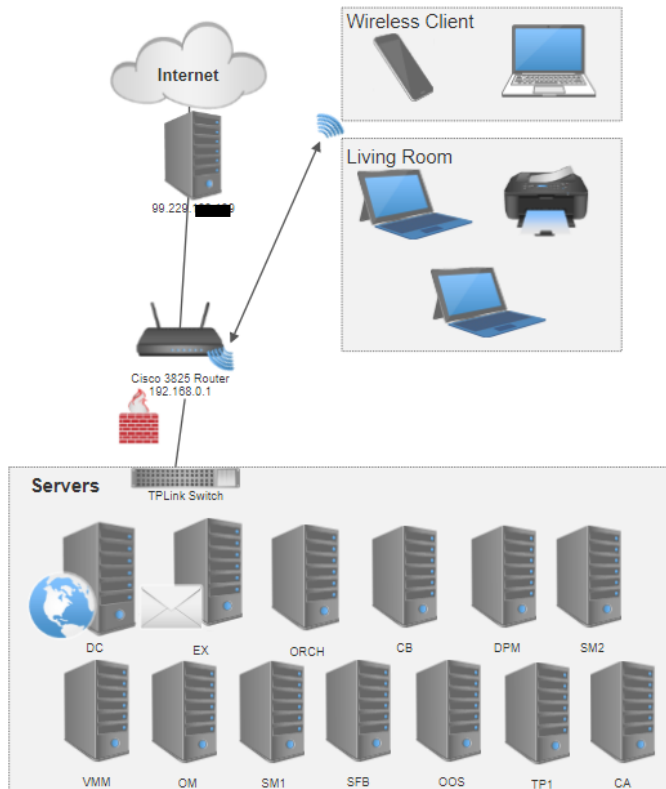


# RAMLAN HOME LAB



- DC - Domain Controller
- EX - Exchange Server
- ORCH - Orchestrator
- VMM - Virtual Machine Mgr
- DPM - Data Protection Mgr
- SM1 - Service Manager
- SM2 - Service Manager
- SFB - Skype for Business
- TP1 - Configuration Mgr
- CB - Current Branch Config Mgr
- OOS - Office Online Server
- OM - Operations Manager
- CA - Certificate Authority Server

## ramlan.ca

NetBIOS Name: RAMLAN  
 Domain functional level: Windows 2000 Native Mode  
 Total DC's: 1  
 fsmoPDC: DC.RAMLAN.CA  
 fsmoINFRA: DC.RAMLAN.CA  
 fsmoRID: DC.RAMLAN.CA

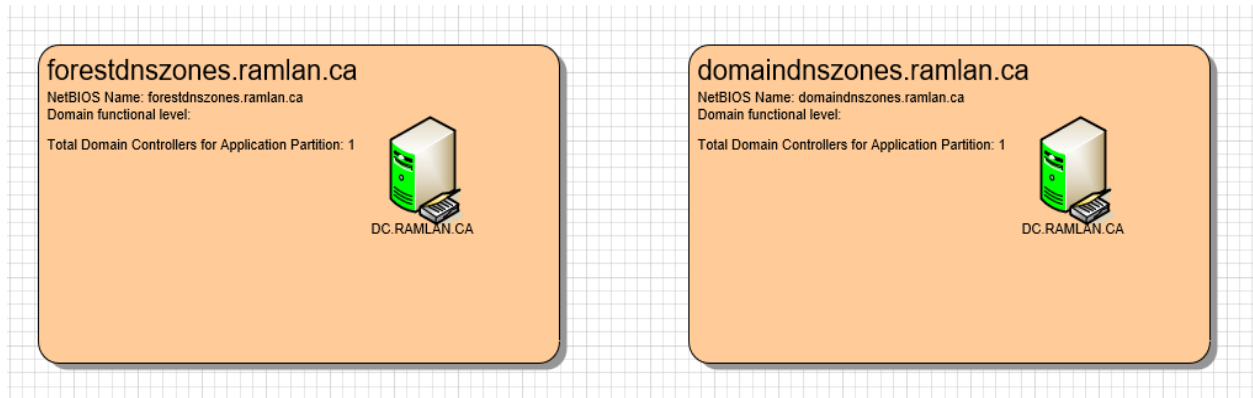


## Default-First-Site-Name

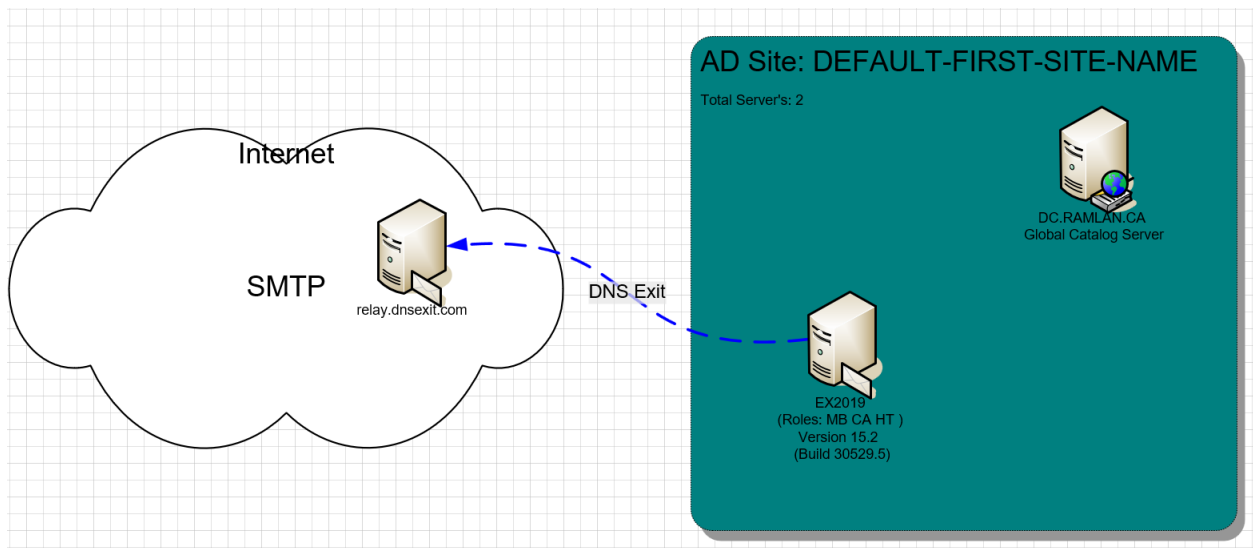
Total Domain Controllers in Site: 1  
 IntraSite Topology Generation: Disabled  
 Cleanup: Disabled  
 Optimizing Edges: Disabled  
 Stale Link Detection: Disabled  
 InterSite Topology Generation: Disabled



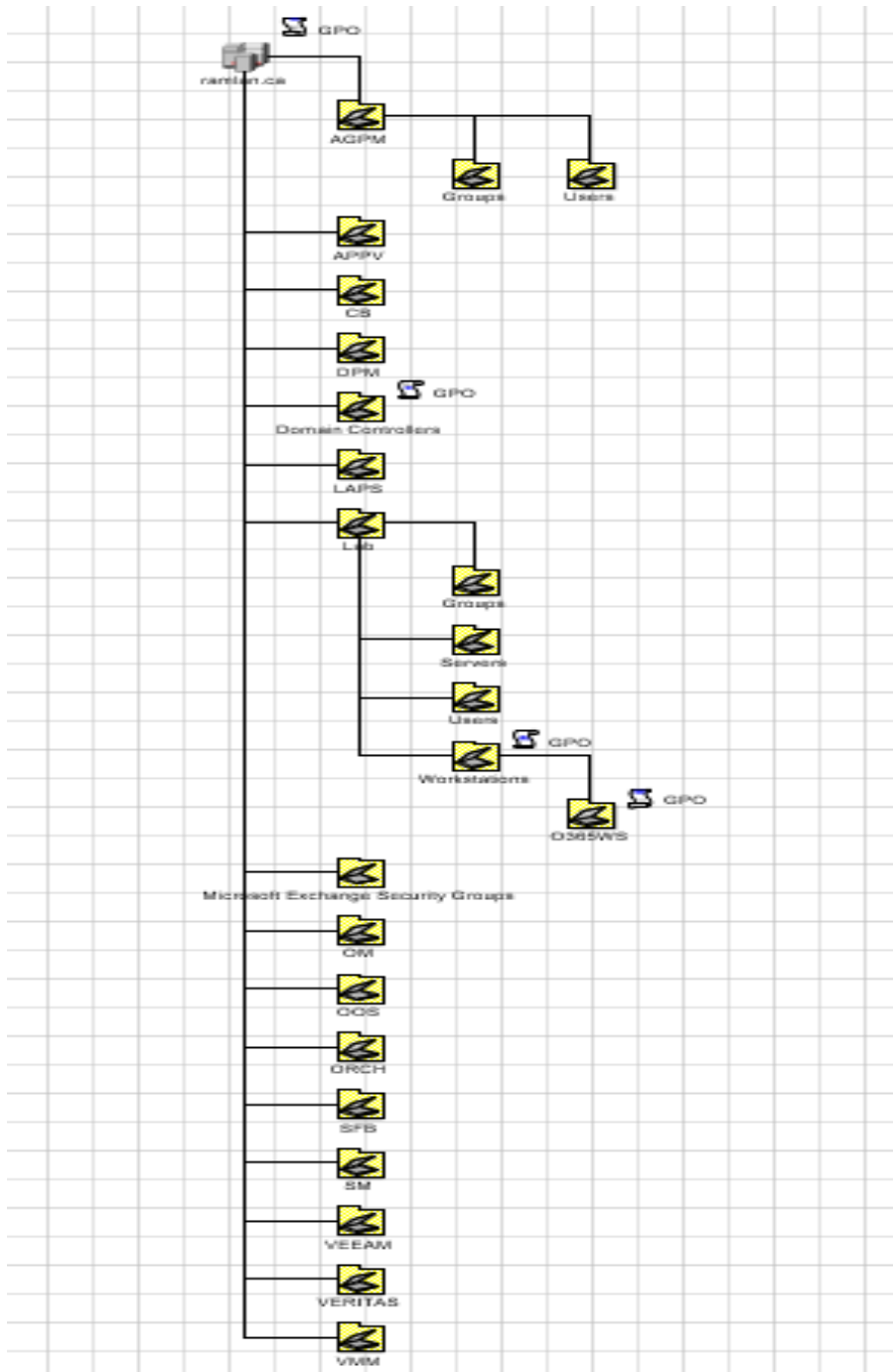
# DNS ZONES



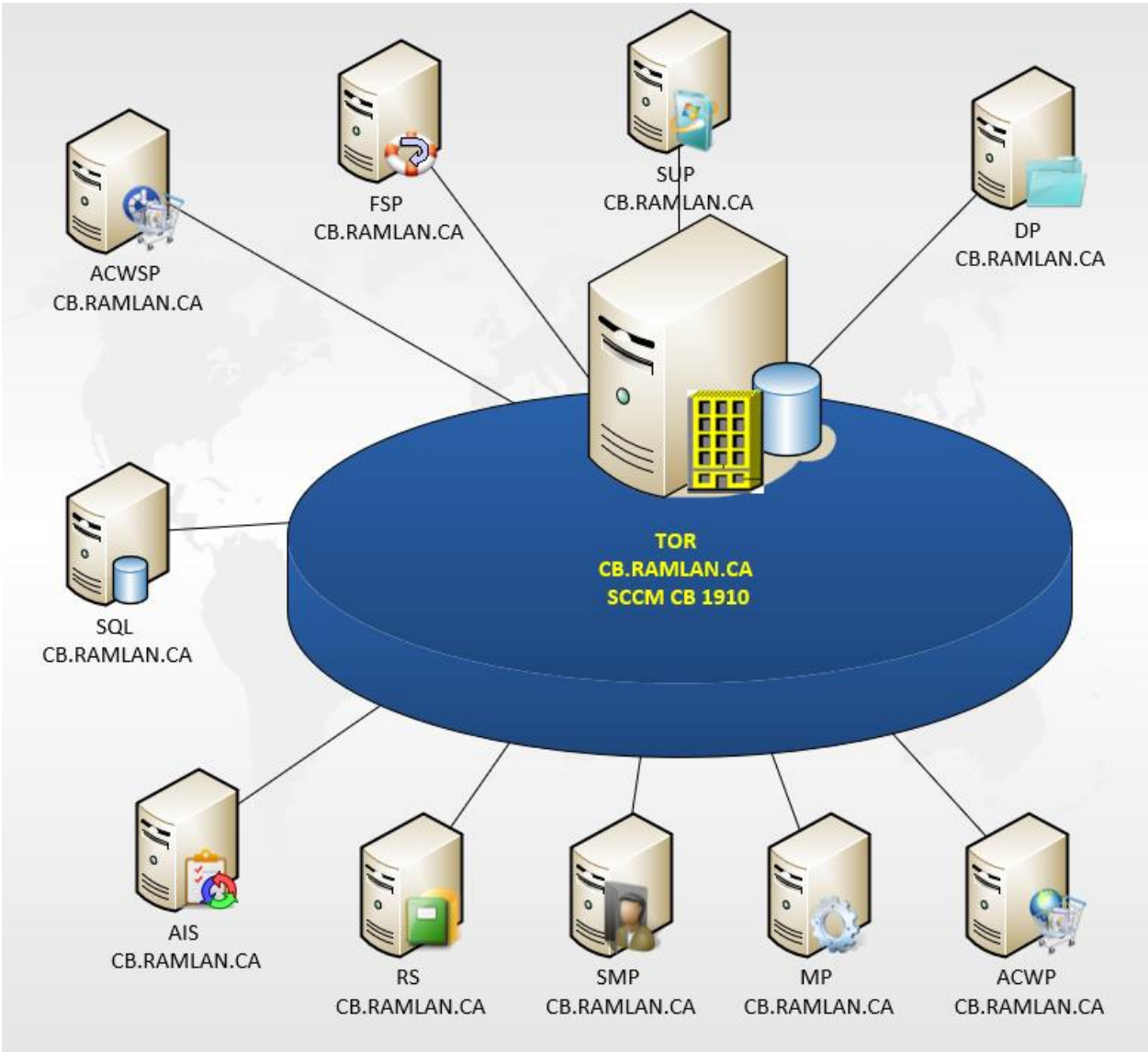
# EXCHANGE SERVER 2019

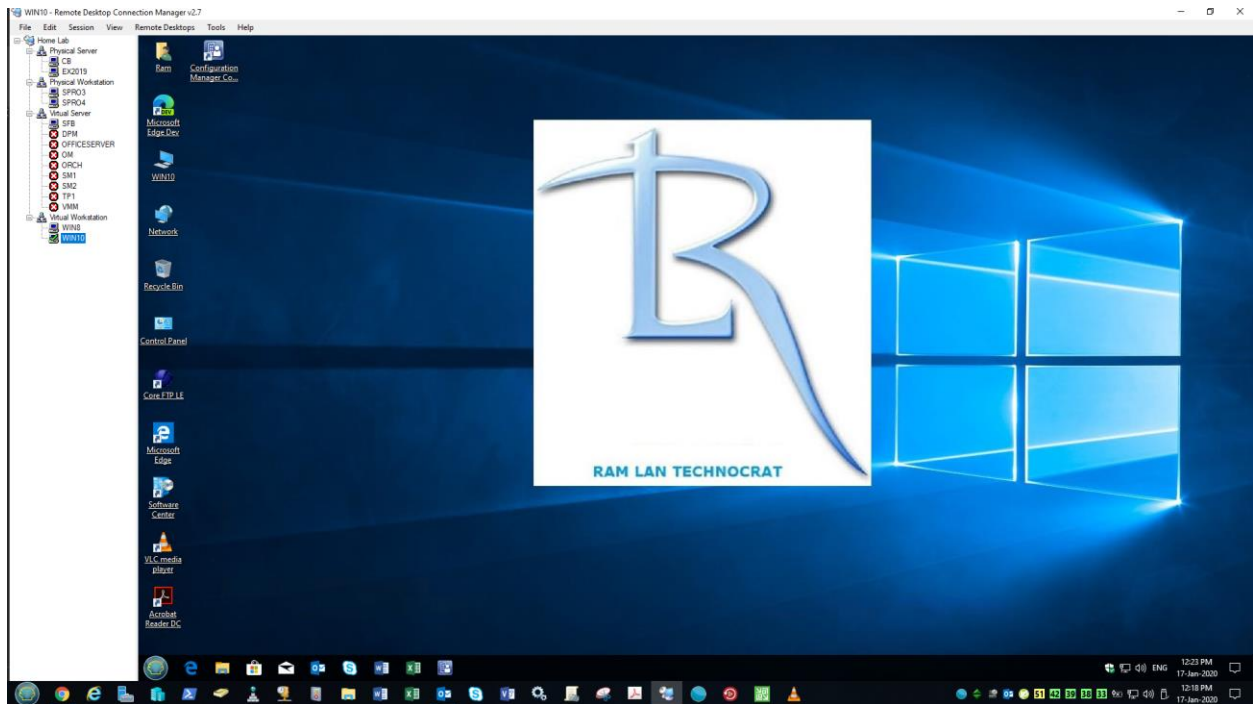


# ACTIVE DIRECTORY ORGANIZATION UNIT



# CURRENT BRANCH – CONFIGURATION MANAGER 1910





Thanks

**Ram Lan**  
**21<sup>st</sup> Jan 2020**